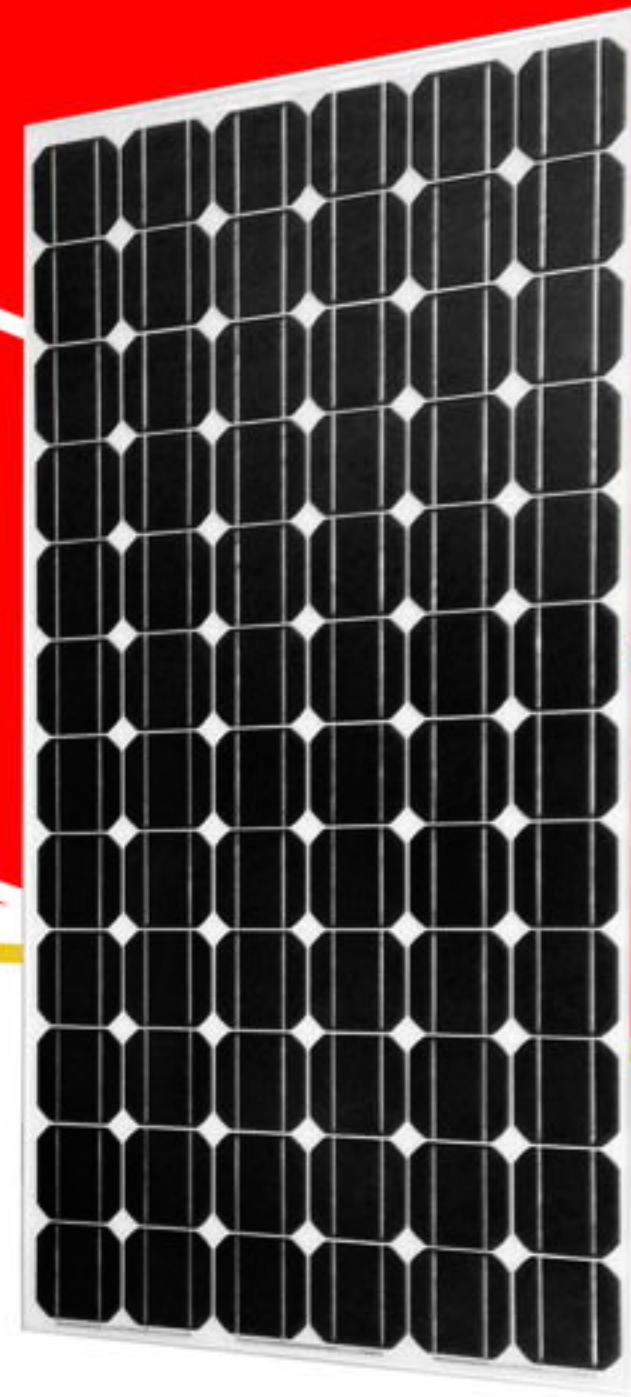


SR MODULE

SR-M572200-1 SR-M572195-1 SR-M572190
 SR-M572185 SR-M572180 SR-M572175



STRENGTHS

- Tolerance $\pm 3\%$
- Plug & Play Connectors
- High Transmission, Low Iron Tempered Glass
- Bypass Diodes Protection

WARRANTY

- Manufacturing 10 years
- Power production 90%: 10 years
80%: 25 years

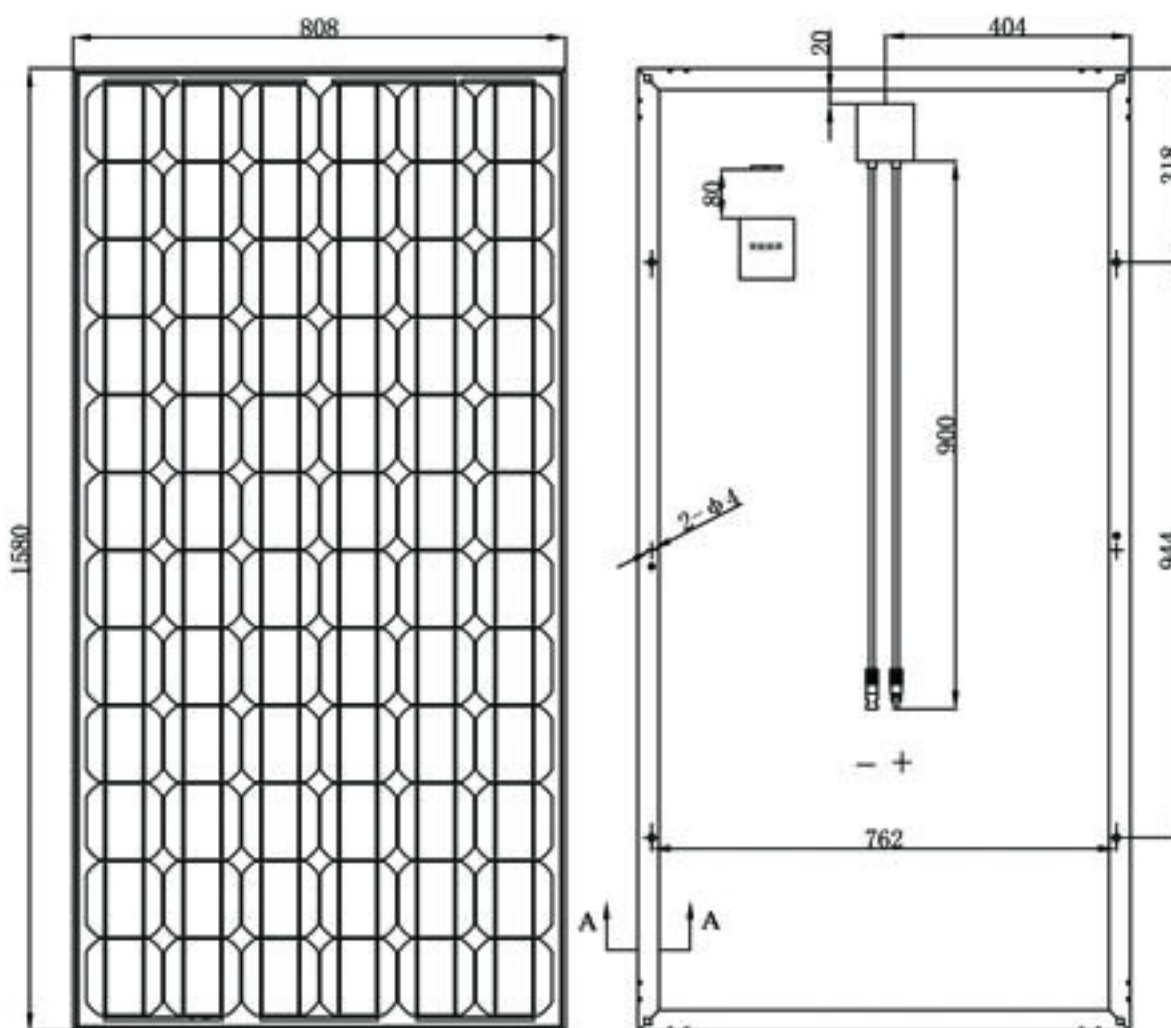
INSURANCE

- Insured by CHUBB

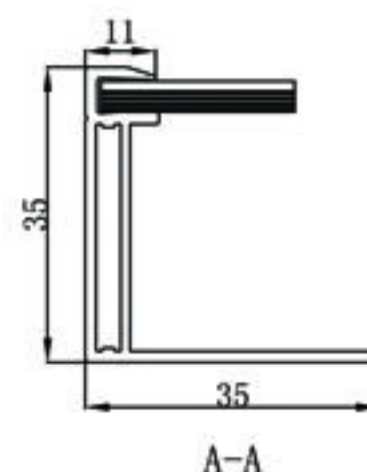
CERTIFICATES



PHYSICAL CHARACTERISTICS Unit:mm



Dimensions	(mm)	1580×808×35
Weight	(kg)	15.5
Quantity/Pallet		28 pcs/pallet
Loading Capacity		336 pcs/20' GP
		784 pcs/40' GP

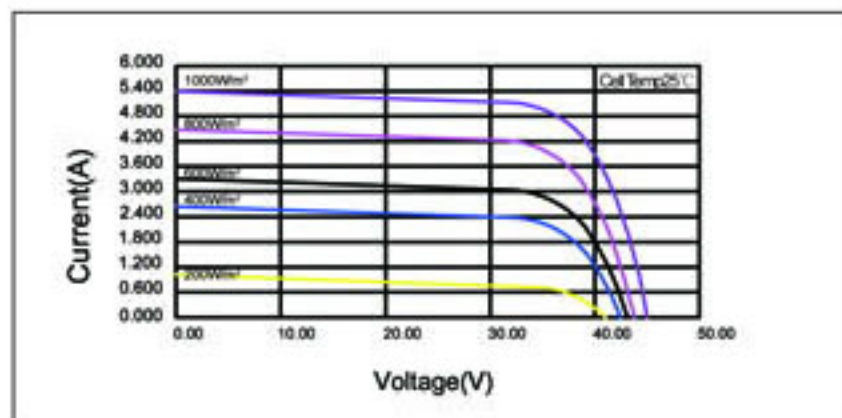
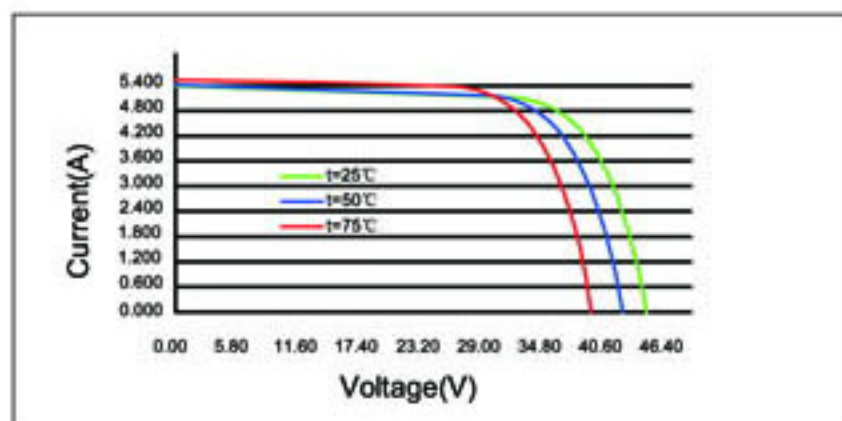


SPECIFICATIONS

Module Type		SR-M572200-1	SR-M572195-1	SR-M572190	SR-M572185	SR-M572180	SR-M572175
Maximum Power	Pm(W)	200W	195W	190W	185W	180W	175W
Tolerance	(%)	±3	±3	±3	±3	±3	±3
Open Circuit Voltage	Voc(V)	45.10	44.82	44.46	44.21	43.61	43.30
Short Circuit Current	Isc(A)	5.90	5.79	5.70	5.59	5.53	5.43
Maximum Power Voltage	Vm(V)	36.40	36.20	36.00	35.80	35.40	35.20
Maximum Power Current	Im(A)	5.50	5.39	5.28	5.17	5.09	4.98
Module Efficiency	(%)	15.70	15.30	14.90	14.50	14.10	13.70
Solar Cell Efficiency	(%)	18.50	18.00	17.50	17.10	16.70	16.20
Cell Type	(mm)	125×125 (Mono-Crystalline Silicon)					
Number of Cells	(Pcs)	72 (6×12)					
Maximum System Voltage	(V)	DC1000					
Temp.Coeff.of Voc	(%/°C)	-0.35					
Temp.Coeff.of Isc	(%/°C)	0.038					
Temp.Coeff.of Pm	(%/°C)	-0.49					
Operating Temperature	(°C)	-40 to 85					
Nominal Operating Cell Temperature(NOCT)	(°C)	45±2					
Max.Series Fuse	(A)	14					
Wind Bearing	(Pa)	2400					
Pressure Bearing	(Pa)	5400					

STC(Standard Test Conditions): 1000W/m² AM=1.5 25°C

ELECTRICAL CHARACTERISTICS



		1000 W/m ²	800 W/m ²	600 W/m ²	400 W/m ²	200 W/m ²	100 W/m ²
SR-M572200-1	Vmpp	36.40	36.07	35.64	35.13	34.18	33.38
	Impp	5.50	4.40	3.28	2.19	1.08	0.66
SR-M572195-1	Vmpp	36.20	35.87	35.44	34.93	33.99	33.20
	Impp	5.39	4.31	3.22	2.15	1.06	0.65
SR-M572190	Vmpp	36.00	35.68	35.24	34.74	33.80	33.01
	Impp	5.28	4.22	3.15	2.11	1.03	0.63
SR-M572185	Vmpp	35.80	35.48	35.05	34.55	33.62	32.83
	Impp	5.17	4.14	3.09	2.06	1.01	0.62
SR-M572180	Vmpp	35.40	35.08	34.66	34.16	33.24	32.46
	Impp	5.09	4.07	3.04	2.03	1.00	0.61
SR-M572175	Vmpp	35.20	34.88	34.46	33.97	33.05	32.28
	Impp	4.98	3.98	2.97	1.99	0.98	0.60