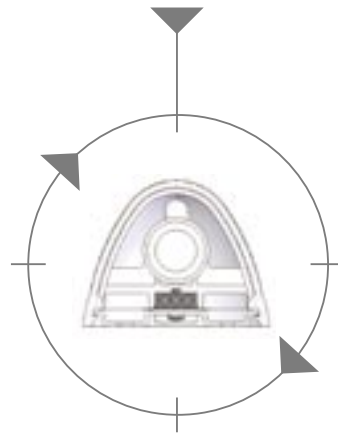


■ **PEARL (SL)**

- Attractive slim design
- High light output
- Opaque acrylic lens
- Integrated rocker switch

Internal View

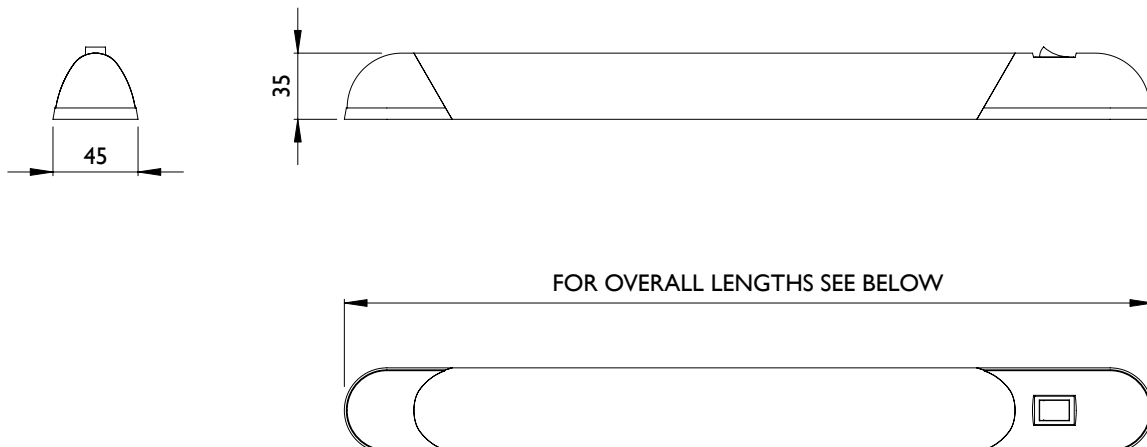


|| See technical specifications overleaf >>>

PEARL (SL)



The Pearl range has been designed to provide an attractive, yet cost effective, light unit to compliment any modern interior. Its subtle styling hides a robust aluminium construction, making it suitable for use in both leisure applications and working vehicles. The lens is opal in colour which helps to reduce glare and enhances the appearance of the light unit. Both installation and tube replacement have been designed to be as quick and simple as possible - the lens simply unclips to reveal the tube and fixing centres. An on/off rocker switch is mounted into one end as standard, but this can be omitted by arrangement.



OVERALL LENGTHS: SL8 = 427mm SL13 = 655mm

SPECIFICATION

ALL DIMENSIONS HAVE A TOLERANCE OF +/- 1mm

PEARL (SL)

Model No		SL8	SL8/2	SLI3	SLI3/2
Supply Voltage	Vdc	12	24	12	24
Voltage Range	Vdc	10 to 15	20 to 32	10 to 15	20 to 32
Average Current	A	0.55	0.3	1.1	0.56
Crest Factor		2.5	1.75	3.0	2.8
Frequency	KHz	30	30	35	28
Tube Watts	W	8W		13W	
Lumens	Lm	400		800	
Weight	Kg	0.18		0.26	
Temp' Range	°C	-10 to +40		-10 to +40	

E & OE